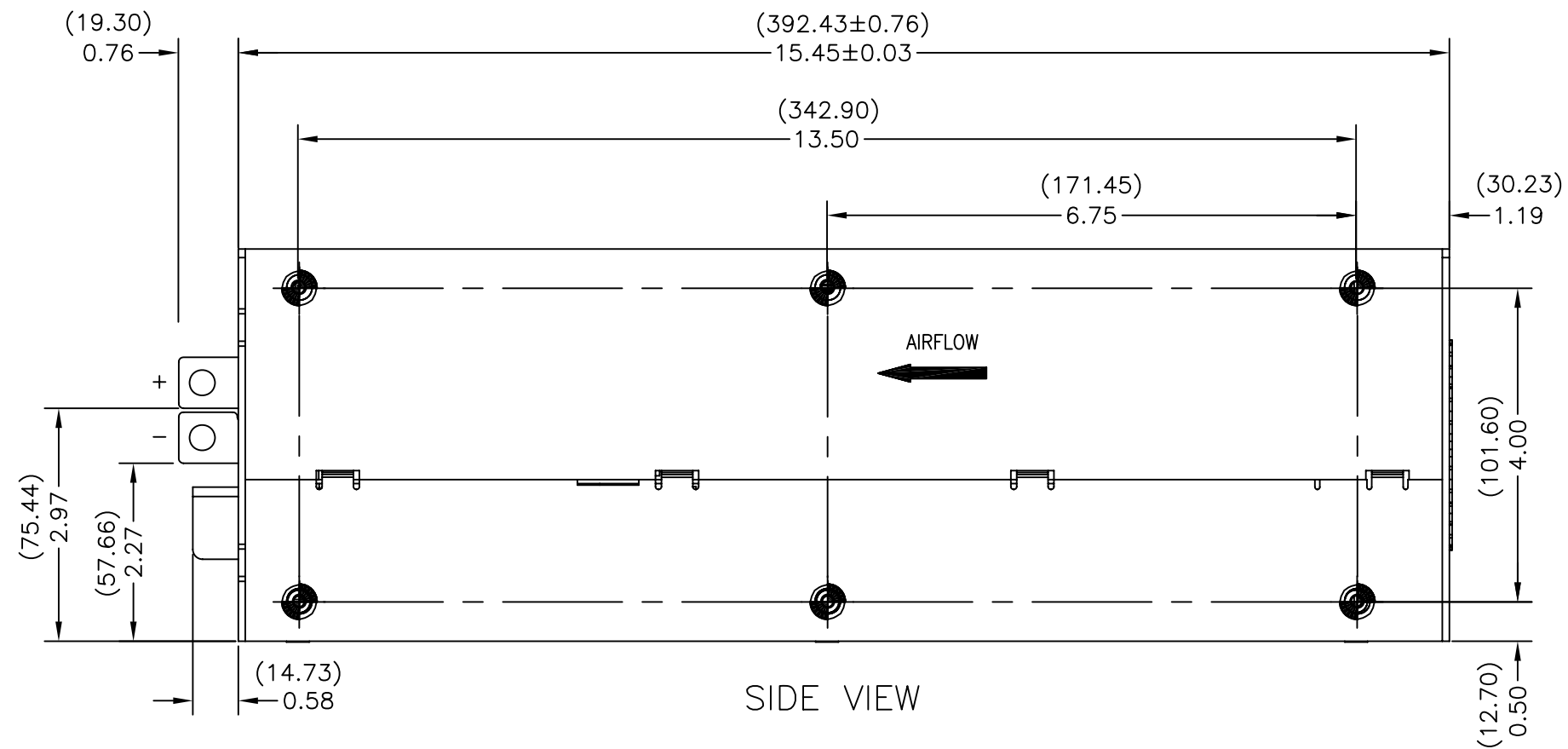
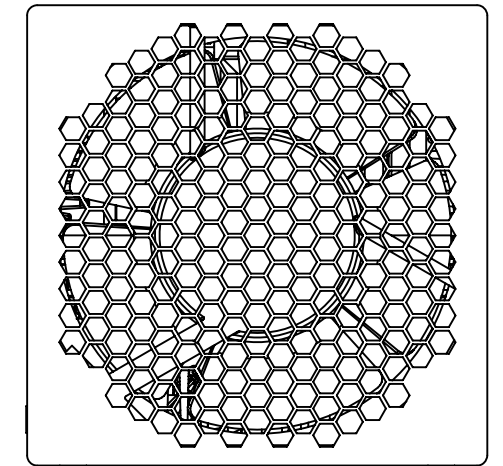


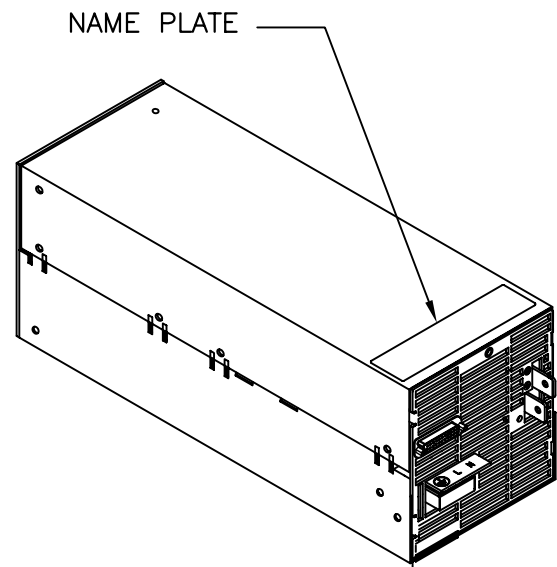
FRONT VIEW



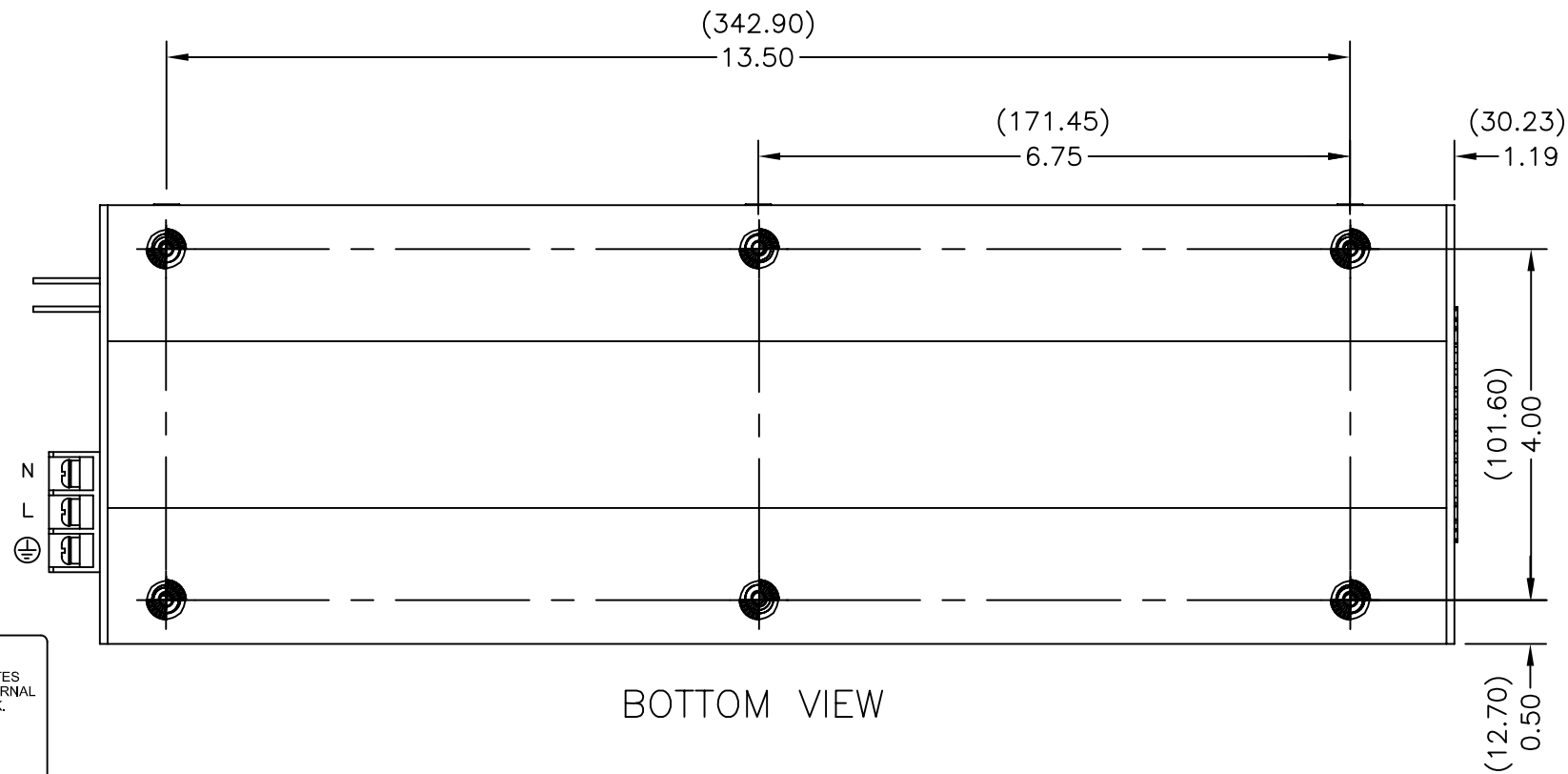
SIDE VIEW



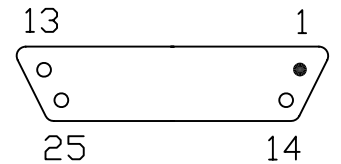
REAR VIEW



NAME PLATE



BOTTOM VIEW



J1 PIN LOCATIONS

OPTION CONNECTOR PINOUTS :

- PIN 1 : REMOTE SENSE (+)
- PIN 2 : REMOTE MARGIN
- PIN 3 : OUTPUT POWER GOOD
- PIN 4 : REMOTE SENSE (-)
- PIN 14 : LOGIC RETURN
- PIN 15 : CURRENT SHARING
- PIN 16 : POWER FAIL
- PIN 17 : CURRENT MONITOR
- PIN 18 : REMOTE ON/OFF

NAME PLATE :

SEE NOTE A

NLS5000-24 INPUT : 200-240VAC, 50/60Hz, 32A
 OUTPUT : 24V, 208A Pout : 5000W

CAUTION - HIGH VOLTAGE DE-ENERGIZE UNIT AT LEAST 5 MINUTES BEFORE REMOVING COVER, ALL INTERNAL HEATSINKS PRESENT RISK OF SHOCK, TEST BEFORE TOUCHING.

CAUTION - FOR CONTINUED PROTECTION AGAINST FIRE HAZARD, REPLACE ONLY WITH SAME TYPE AND RATING OF FUSE.

TDK Lambda
 MADE IN MALAYSIA

UL Recognized
 UL Type Approved
 SMART REPUT TYPE APPROVED

NOTES :

- A. MODEL NAME, INPUT VOLTAGE RANGE, NOMINAL OUTPUT VOLTAGE, NOMINAL OUTPUT CURRENT, NOMINAL OUTPUT POWER & COUNTRY OF MANUFACTURE ARE SHOWN IN ACCORDANCE WITH THE SPECIFICATIONS.
- B. DC BUS BARS WITH 8/25" (8.13mm) HOLE. AC INPUT TERMINAL BLOCK WITH M4 SCREWS.
- C. ALL MOUNTING HOLES ARE FOR 8-32 SCREWS WITH MAX. PENETRATION DEPTH OF 3/32" (2.38mm).
- D. SYMBOL INDICATES STANDARD MOUNTING HOLE.