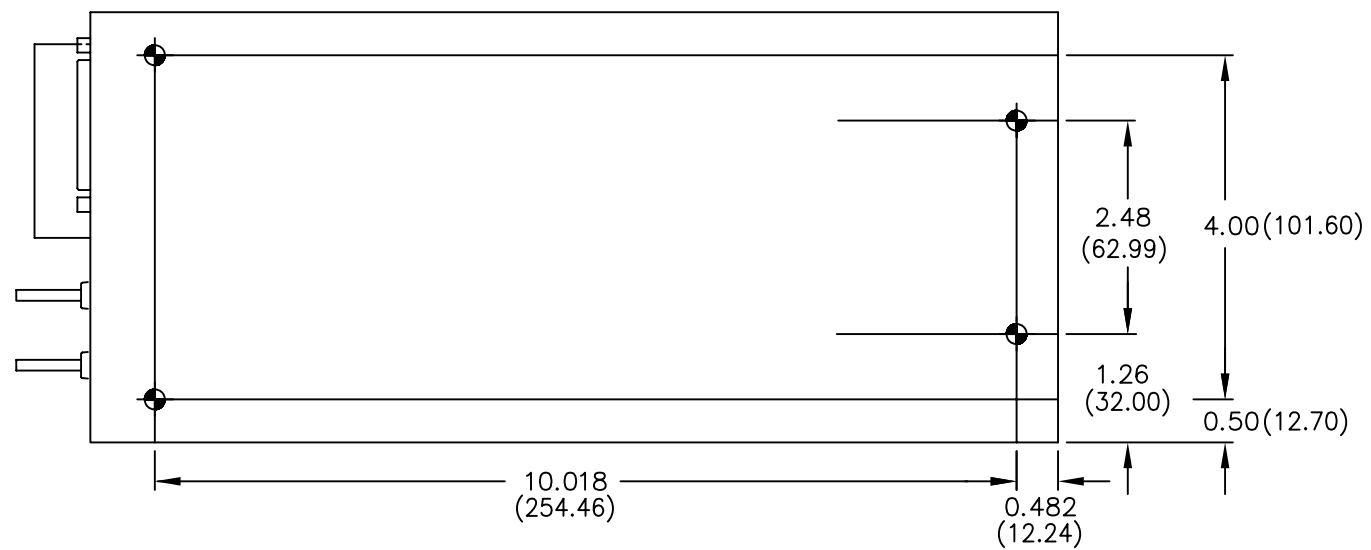


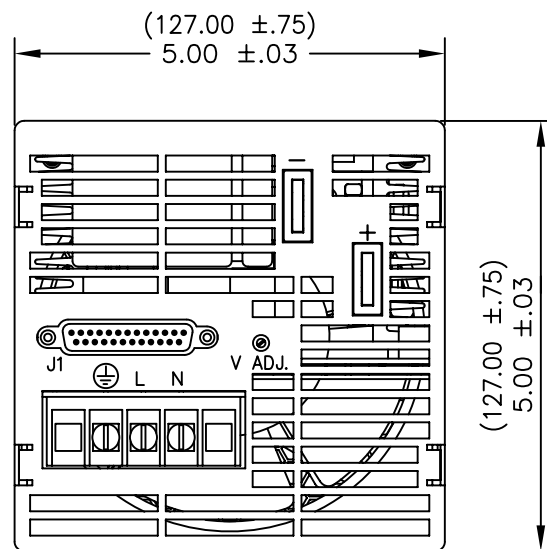
TOP VIEW



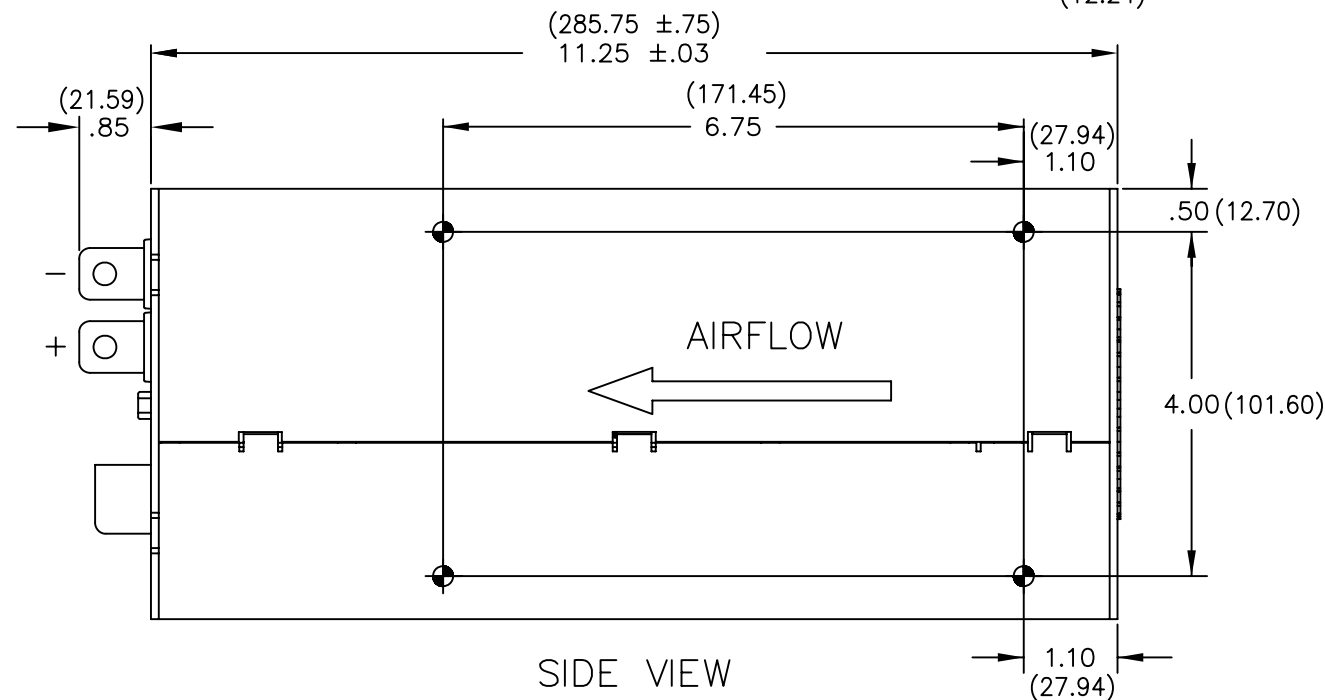
NAME PLATE :

SEE NOTE A

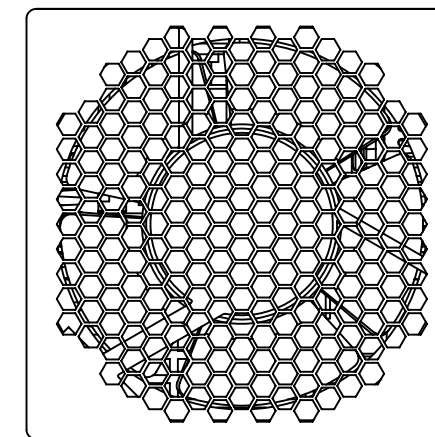
NLS3000-28 BARCODE TDK-Lambda MADE IN MALAYSIA	INPUT : 200-240VAC, 50/60Hz, 23A	 CAUTION - HIGH VOLTAGE DE-ENERGIZE UNIT AT LEAST 5 MINUTES BEFORE REMOVING COVER. ALL INTERNAL HEATSINKS PRESENT RISK OF SHOCK. TEST BEFORE TOUCHING.
	OUTPUT : 28V --- 107A Pout : 3000W	
 MADE IN MALAYSIA	 SMART DESIGN TYPE APPROVED	CAUTION - FOR CONTINUED PROTECTION AGAINST FIRE HAZARD, REPLACE ONLY WITH SAME TYPE AND RATING OF FUSE.



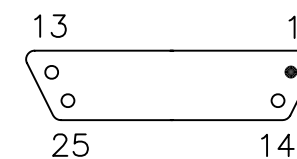
FRONT VIEW



SIDE VIEW



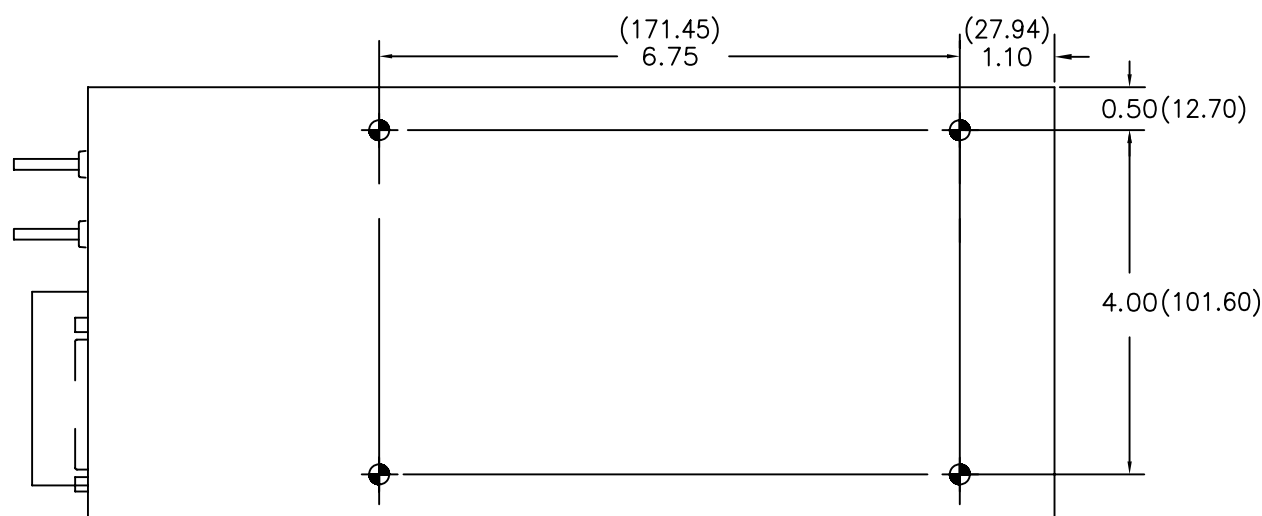
BACK VIEW



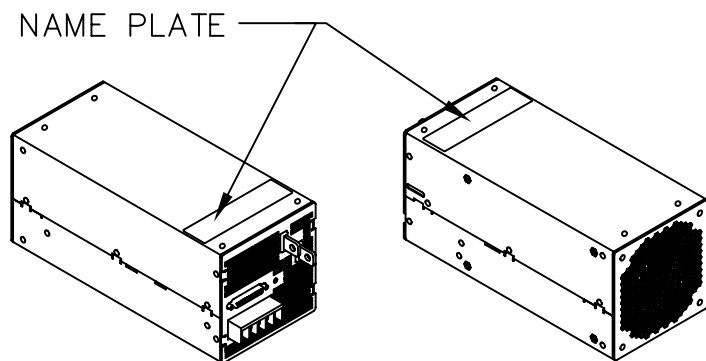
J1 PIN LOCATIONS

OPTION CONNECTOR PINOUTS :

- PIN 1 : REMOTE SENSE (+)
- PIN 2 : REMOTE MARGIN
- PIN 3 : OUTPUT POWER GOOD
- PIN 4 : REMOTE SENSE (-)
- PIN 14 : LOGIC RETURN
- PIN 16 : POWER FAIL
- PIN 17 : CURRENT MONITOR
- PIN 18 : REMOTE ON/OFF



BOTTOM VIEW



- NOTES :
- A. MODEL NAME, INPUT VOLTAGE RANGE, NOMINAL OUTPUT VOLTAGE, NOMINAL OUTPUT CURRENT, NOMINAL OUTPUT POWER & COUNTRY OF MANUFACTURE ARE SHOWN IN ACCORDANCE WITH THE SPECIFICATIONS.
 - B. DC BUS BARS WITH 1/4" (6.35mm) HOLE. AC INPUT TERMINAL BLOCK WITH 8-32 SCREWS.
 - C. ALL MOUNTING HOLES TO BE 8-32 SCREW WITH MAX. PENETRATION DEPTH OF 3/32" (2.4mm).
 - D. SYMBOL INDICATES STANDARD MOUNTING HOLE.