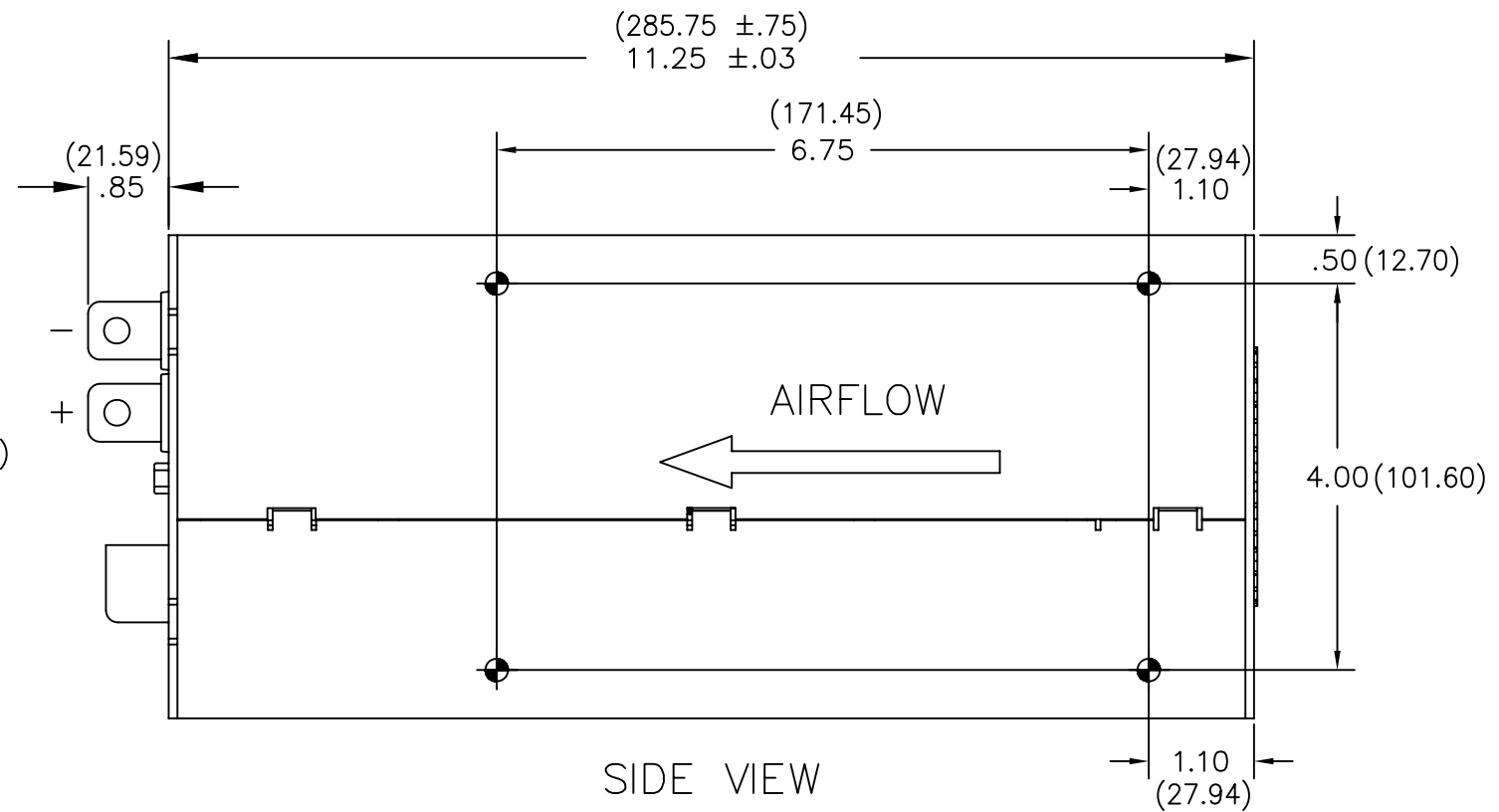
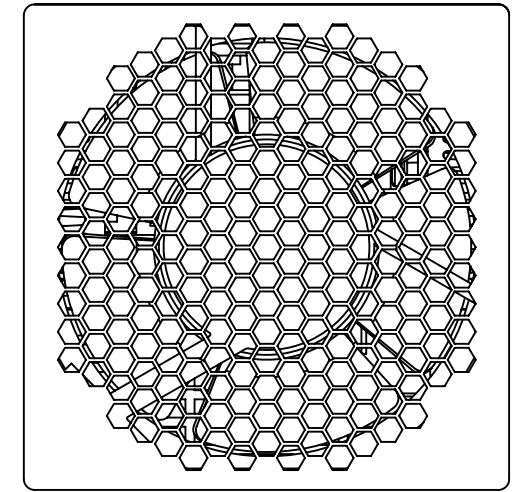


FRONT VIEW

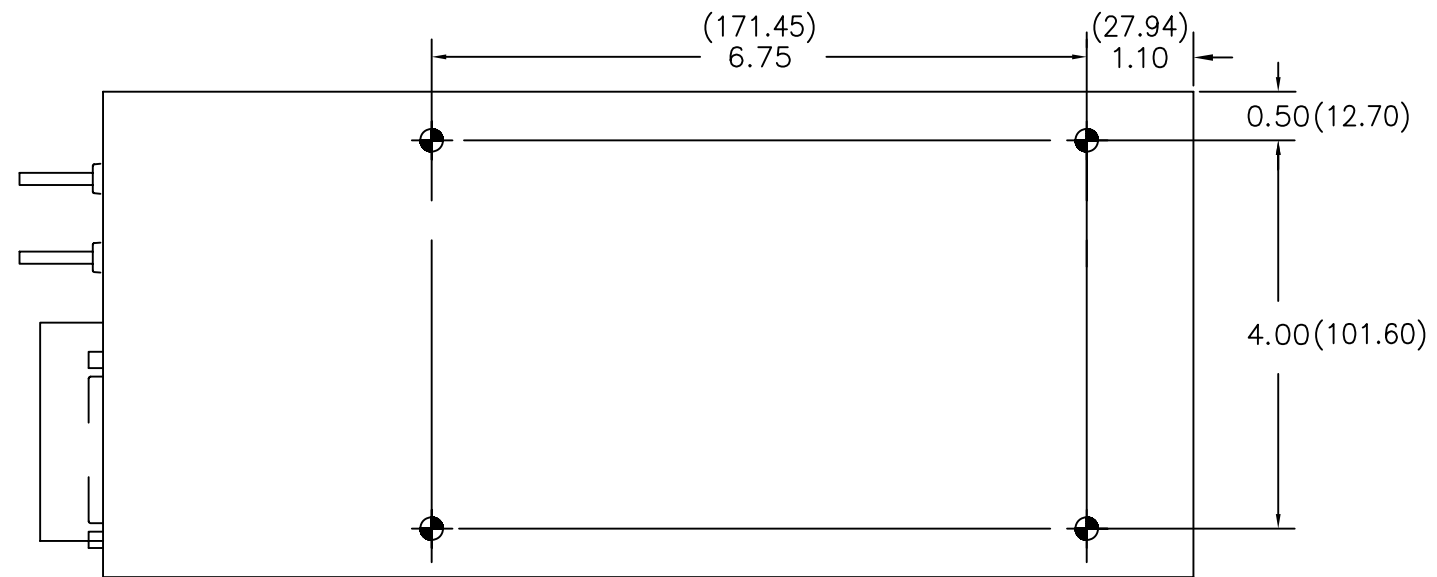
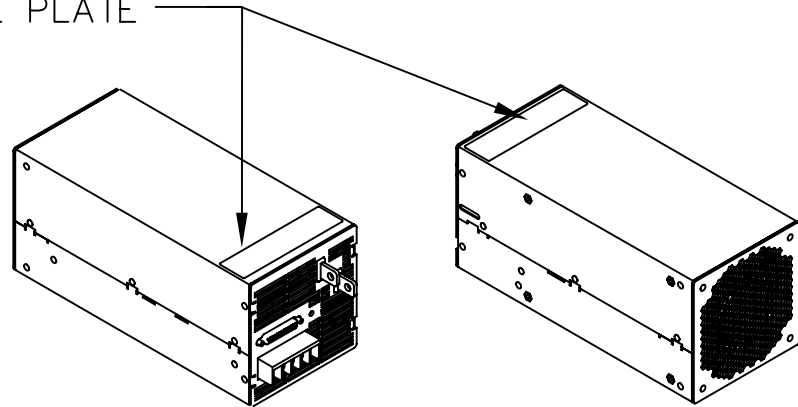


SIDE VIEW

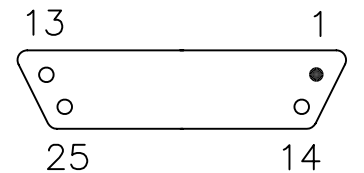


BACK VIEW

NAME PLATE



BOTTOM VIEW



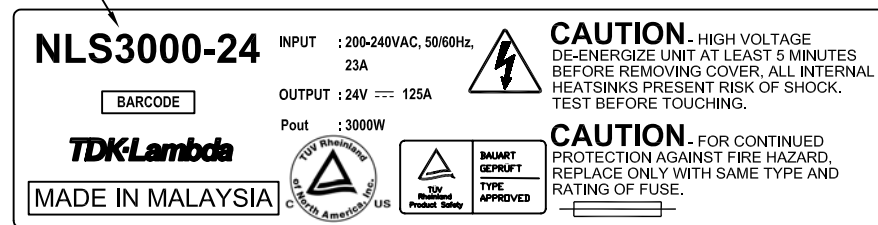
J1 PIN LOCATIONS

OPTION CONNECTOR PINOUTS :

- PIN 1 : REMOTE SENSE (+)
- PIN 2 : REMOTE MARGIN
- PIN 3 : OUTPUT POWER GOOD
- PIN 4 : REMOTE SENSE (-)
- PIN 14 : LOGIC RETURN
- PIN 16 : POWER FAIL
- PIN 17 : CURRENT MONITOR
- PIN 18 : REMOTE ON/OFF

NAME PLATE :

SEE NOTE A



NOTES :

- A. MODEL NAME, INPUT VOLTAGE RANGE, NOMINAL OUTPUT VOLTAGE, NOMINAL OUTPUT CURRENT, NOMINAL OUTPUT POWER & COUNTRY OF MANUFACTURE ARE SHOWN IN ACCORDANCE WITH THE SPECIFICATIONS.
- B. DC BUS BARS WITH 1/4" (6.35mm) HOLE. AC INPUT TERMINAL BLOCK WITH 8-32 SCREWS.
- C. ALL MOUNTING HOLES TO BE 8-32 SCREW WITH MAX. PENETRATION DEPTH OF 3/32" (2.4mm).
- D. SYMBOL INDICATES STANDARD MOUNTING HOLE.